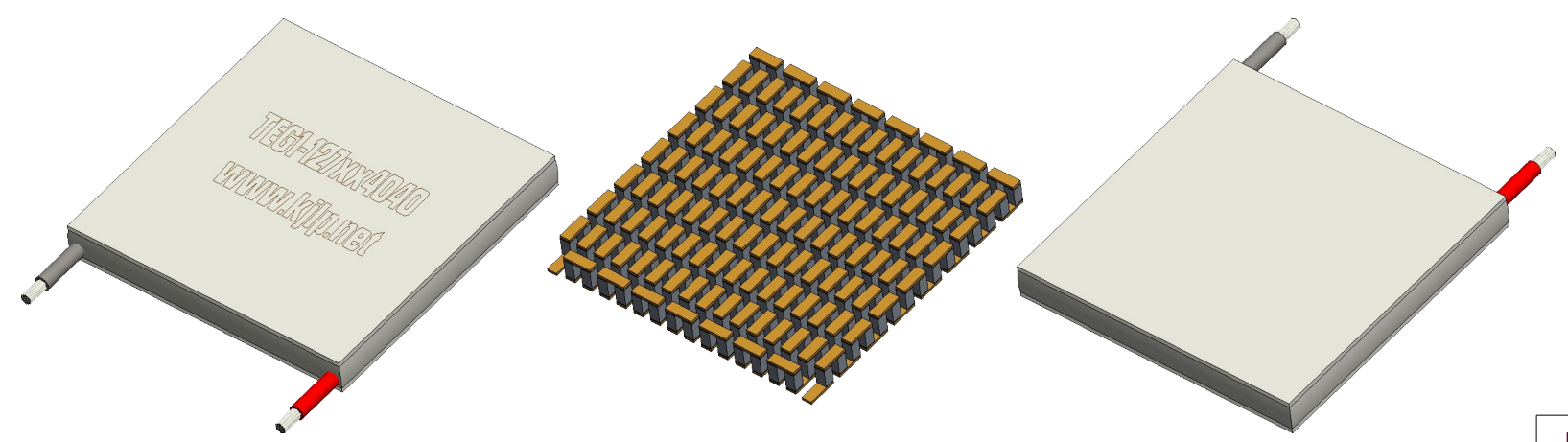
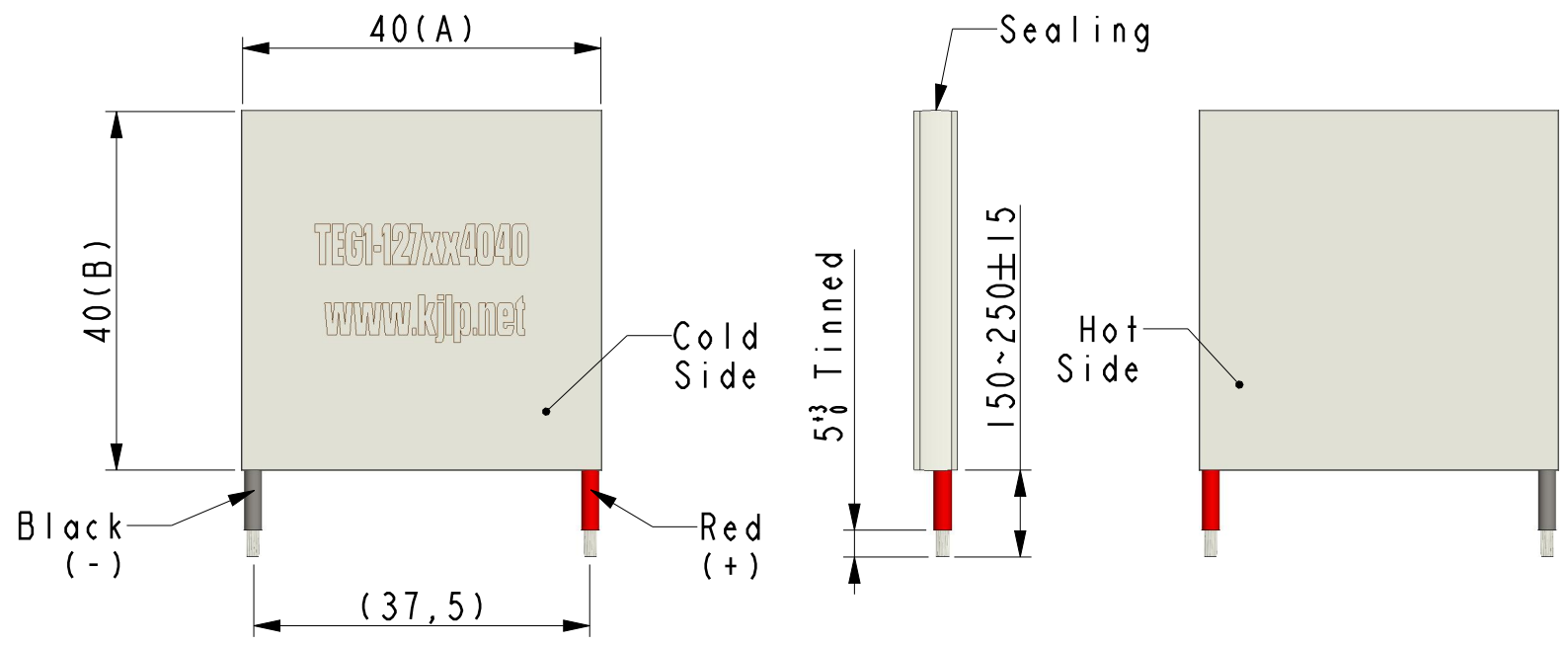
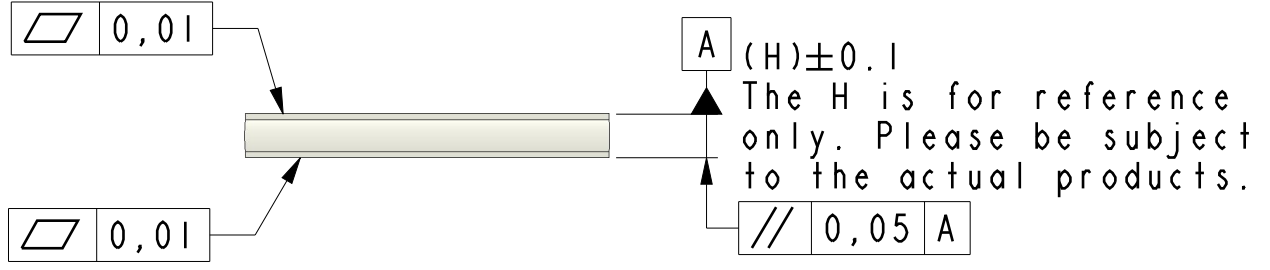
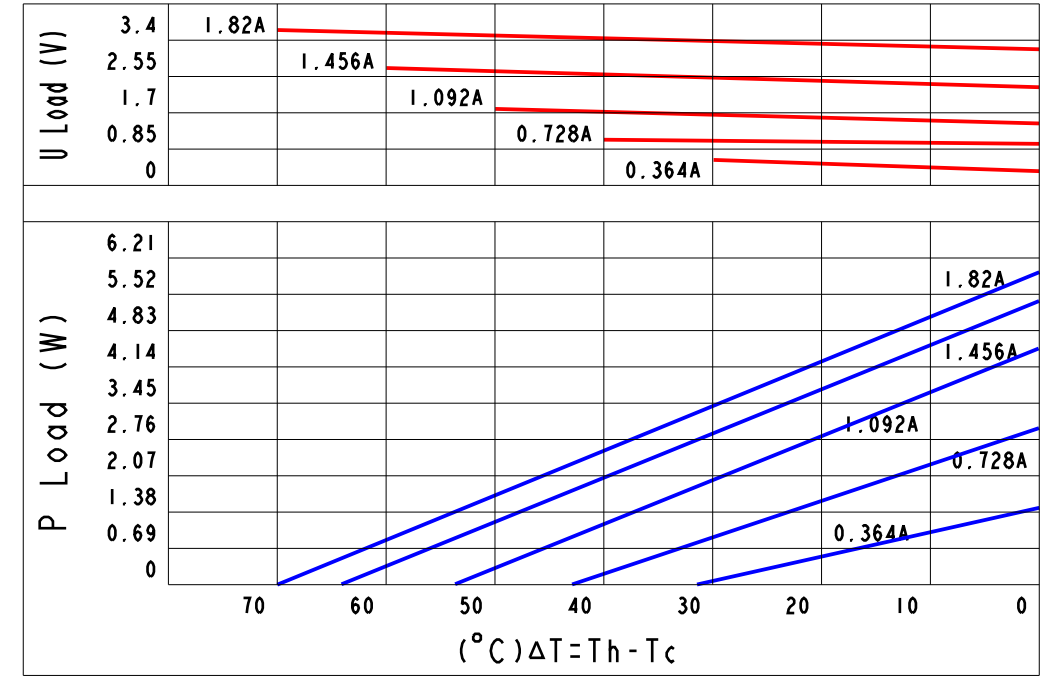


| REVISIONS |      |                  |            |      |       |
|-----------|------|------------------|------------|------|-------|
| REV.      | POS. | DESCRIPTION      | DATE       | DRW  | APP   |
| A         |      | INITIAL CREATION | 2013/09/09 | Gary | Mason |



Curve Chart(Be Confined To TEG1-127184040):



Part Number And Feature:

|        |          |      |       |       |       |       |          |   |      |               |               |   |   |                            |                                  |
|--------|----------|------|-------|-------|-------|-------|----------|---|------|---------------|---------------|---|---|----------------------------|----------------------------------|
| T      | E        | G    | I     | -     | 1     | 2     | 7        | x | x    | 4             | 0             | 4 | 0 | Sealing                    | YES                              |
|        | ∇        |      |       |       |       | ∇     |          |   |      | ∇             |               | ∇ |   | Operation Temperatur(Max.) | 200 $^{\circ}C$ (Max.)           |
| Thermo | Electric | Chip | Stage | Stack | N & P | Stack | Quantity | R | Load | Dimension (A) | Dimension (B) |   |   | Melting Point              | 235 $^{\circ}C$                  |
|        |          |      |       |       |       |       |          |   |      |               |               |   |   | Storage Temperature        | -60 $^{\circ}C$ ~100 $^{\circ}C$ |
|        |          |      |       |       |       |       |          |   |      |               |               |   |   | RoHS                       | YES                              |

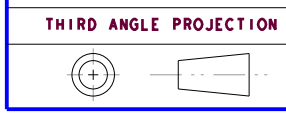
Technical Data:

| ITEM | Part NO.       | Stack(P&N) | U Load(Max.) | P Load(Max.) | R Load(Max.) | Uoc   | P/N Size    | DIM(A) | DIM(B) | DIM(H) |
|------|----------------|------------|--------------|--------------|--------------|-------|-------------|--------|--------|--------|
| 1    | TEGI-127474040 | 127        | 3.4 V        | 3.2 W        | 4.7 Ohm      | 6.4 V | 2.5*1.4*1.4 | 40     | 40     | RF4.8  |
| 2    | TEGI-127334040 | 127        | 3.4 V        | 4.1 W        | 3.3 Ohm      | 6.4 V | 1.6*1.4*1.4 | 40     | 40     | RF3.8  |
| 3    | TEGI-127234040 | 127        | 3.4 V        | 5.5 W        | 2.3 Ohm      | 6.4 V | 1.2*1.4*1.4 | 40     | 40     | RF3.5  |
| 4    | TEGI-127184040 | 127        | 3.4 V        | 6.2 W        | 1.8 Ohm      | 6.4 V | 1.0*1.4*1.4 | 40     | 40     | RF3.1  |

Notes:


1. Printing always on cold side.
2. Tolerance of thermo and electric parameters  $\pm 10\%$ .
3. Please mount heat sink before you use it as cooler. also, please do not exceed the extra voltage at any time.

\*DO NOT SCALE DRAWING



THIS DRAWING AND THE DATA DISCLOSED HEREIN OR HERewith IS NOT TO BE REPR ODUCEd USED OR DISCLOSED OR IN PART TO ANYONE WITHOUT THE PERMISSION OF KJLP (SHENZHEN) ELECTRONICS CO., LTD.

1. UNLESS OTHERWISE SPECIFIED, DIMENSIONS ARE MM  
2 TOLERANCE ARE AS FOLLOWS:  
 $0 < X < 2 \pm 0.06$   
 $2 < X < 10 \pm 0.08$   
 $10 < X < 50 \pm 0.12$   
 $50 < X < 100 \pm 0.16$   
 $100 < X < 200 \pm 0.20$   
 $200 < X < 300 \pm 0.30$   
 ANGLES  $\pm 0.5^{\circ}$

|             |                |             |  |            |                    |
|-------------|----------------|-------------|--|------------|--------------------|
| PART No.    | TEGI-127xx4040 | DESCRIPTION | 3.4V(Max.), 3.2~6.2W(Max.), 127 P&N, 40*40mm   |            |                    |
| SIGNATURE   |                | DATE        |  昆晶冷片(深圳)电子有限公司<br>KJLP (SHENZHEN) ELECTRONICS CO., LTD<br>email: kjlp@kjlp.net http:// www.kjlp.net<br>Tel: +86-755-82528352 Fax: +86-755-22639899 |            |                    |
| DRAWN BY    | Gary           | 2013/09/09  |  |            |                    |
| CHECKED BY  | Justin         | 2013/09/09  |  |            |                    |
| ENGR        | Vivi           | 2013/09/09  |  |            |                    |
| APPROVED BY | Mason          | 2013/09/09  |  |            |                    |
| MATERIAL:   | ISSUED BY      | Jack        | 2013/09/09   | CAD DWG:   | TEGI-127xx4040.drw |
|             |                |             |  | CAD MODLE: | TEGI-127xx4040.prt |
|             |                |             |  | SCALE:     | 1:1                |
|             |                |             |  | SIZE:      | A3                 |
|             |                |             |  | REV:       | A                  |
|             |                |             |  | SHEET:     | 1 OF 1             |