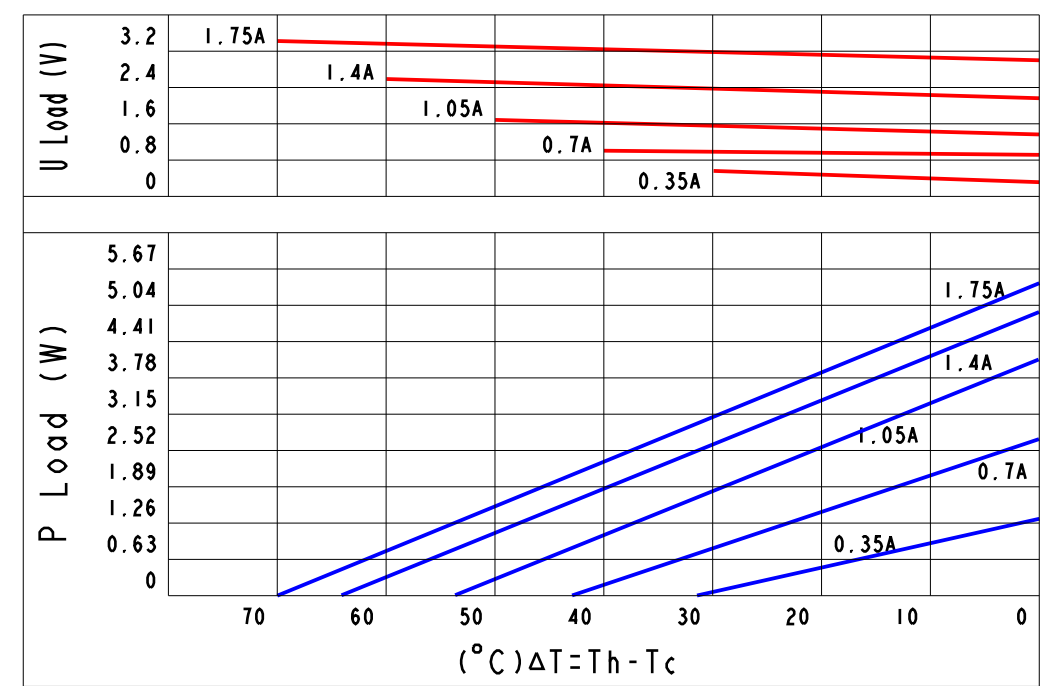


REVISIONS					
REV.	POS.	DESCRIPTION	DATE	DRW	APP
A		INITIAL CREATION	2013/09/09	Gary	Mason

Curve Chart(Be Confined To TEG1-111203540):



Part Number And Feature:

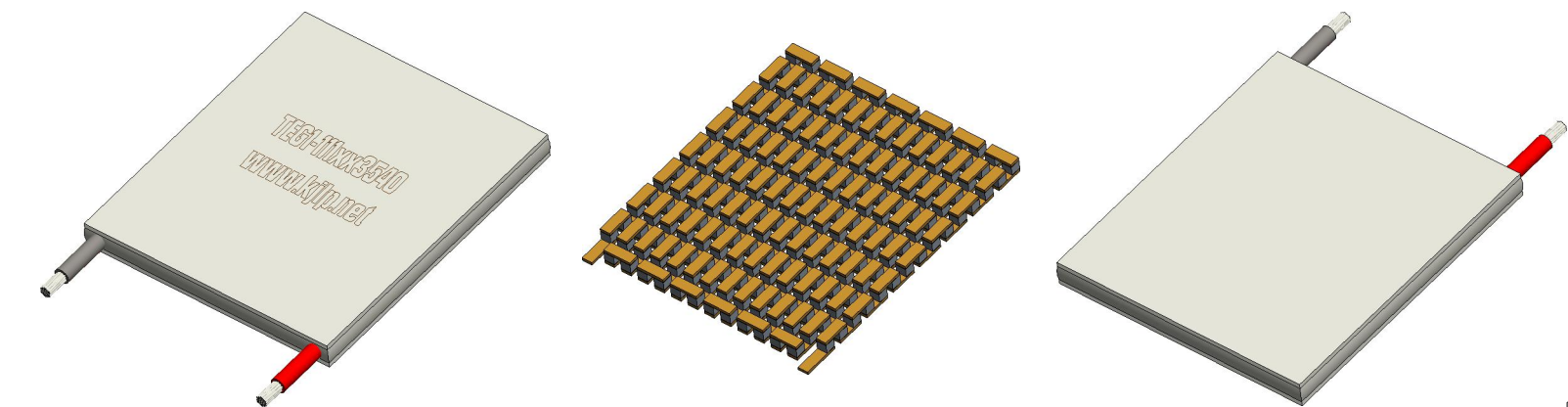
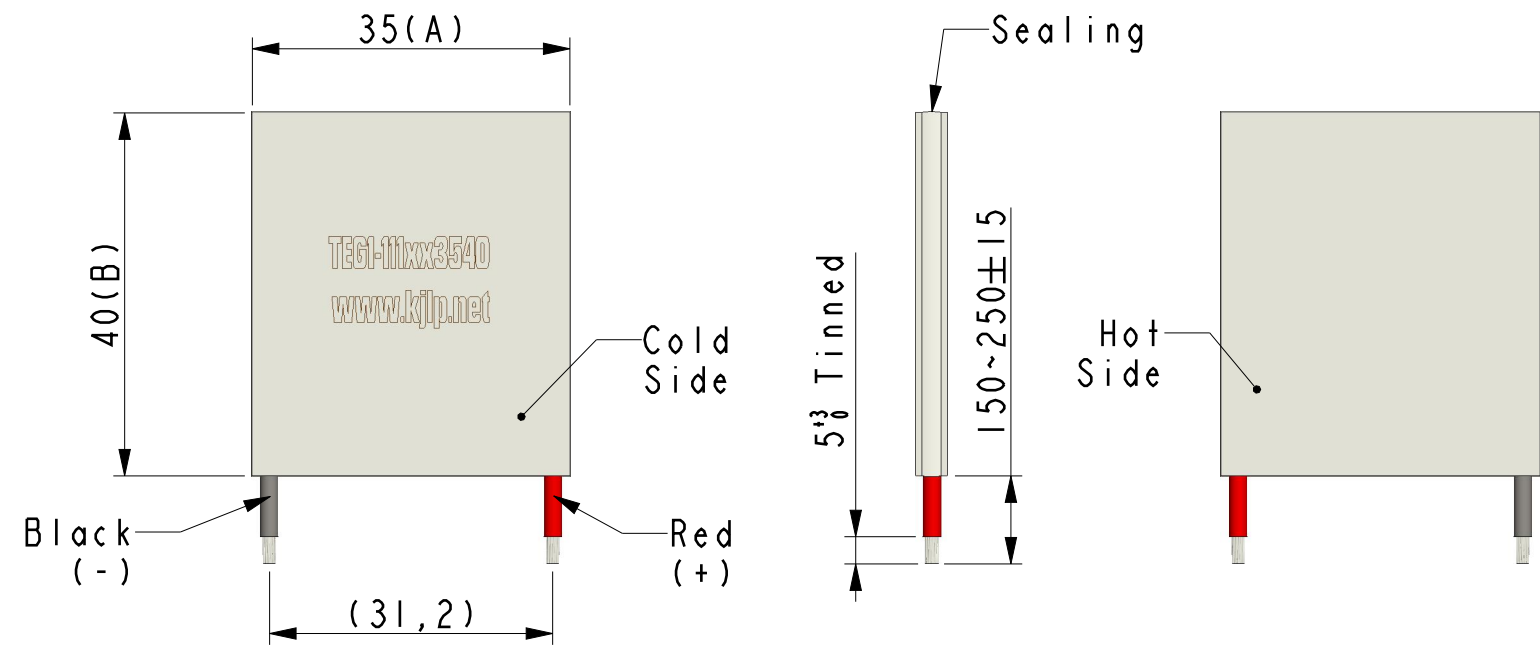
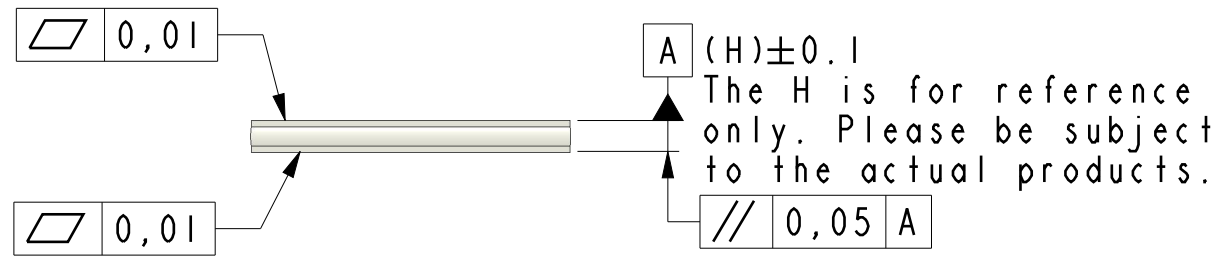
T	E	G	I	-	1	1	1	x	x	3	5	4	0	Sealing	YES
↓	↓		↓	↓	↓	↓	↓	↓	↓	↓	↓	↓	↓	Operation Temperatur(Max.)	200°C(Max.)
Thermo	Electric	Chip	Stage	Stack	N & P	Stack	Quantity	R	Load	Dimension (A)	Dimension (B)			Melting Point	235°C
														Storage Temperature	-60°C~100°C
														RoHS	YES

Technical Data:

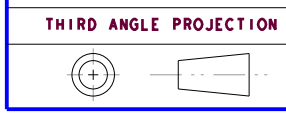
ITEM	Part NO.	Stack(P&N)	U Load(Max.)	P Load(Max.)	R Load(Max.)	Uoc	P/N Size	DIM(A)	DIM(B)	DIM(H)
1	TEG1-111203540	111	3.2 V	5.6 W	2.0 Ohm	6.0 V	1.2*1.4*1.4	35	40	RF3.3

Notes:


1. Printing always on cold side.
2. Tolerance of thermo and electric parameters ±10%.
3. Please mount heat sink before you use it as cooler. also, please do not exceed the extra voltage at any time.



*DO NOT SCALE DRAWING



THIS DRAWING AND THE DATA DISCLOSED HEREIN OR HERewith IS NOT TO BE REPR ODUCE D
USED OR DISCLOSED OR IN PART TO ANYONE WITHOUT THE PERMISSION OF KJLP (SHENZHEN) ELECTRONICS
CO., LTD.

1. UNLESS OTHERWISE SPECIFIED, DIMENSIONS ARE MM 2 TOLERANCE ARE AS FOLLOWS: 0 < X < 2 ± 0.06 2 < X < 10 ± 0.08 10 < X < 50 ± 0.12 50 < X < 100 ± 0.16 100 < X < 200 ± 0.20 200 < X < 300 ± 0.30 ANGLES ± 0.5°	PART No.	TEG1-111xx3540	DESCRIPTION	3.2V(Max.), 5.6W(Max.), 111 P&N, 35*40mm			
	SIGNATURE		DATE	 昆晶冷片(深圳)电子有限公司 KJLP (SHENZHEN) ELECTRONICS CO., LTD email: kjlp@kjlp.net http:// www.kjlp.net Tel: +86-755-82528352 Fax: +86-755-22639899			
	DRAWN BY	Gary	2013/09/09				
	CHECKED BY	Justin	2013/09/09				
	ENGR	Vivi	2013/09/09				
APPROVED BY	Mason	2013/09/09					
MATERIAL:	ISSUED BY	Jack	2013/09/09	CAD MODLE:	TEG1-111xx3540.prt	SCALE: 1:1	REV: A
				CAD DWG:	TEG1-111xx3540.drw	SIZE: A3	SHEET: 1 OF 1