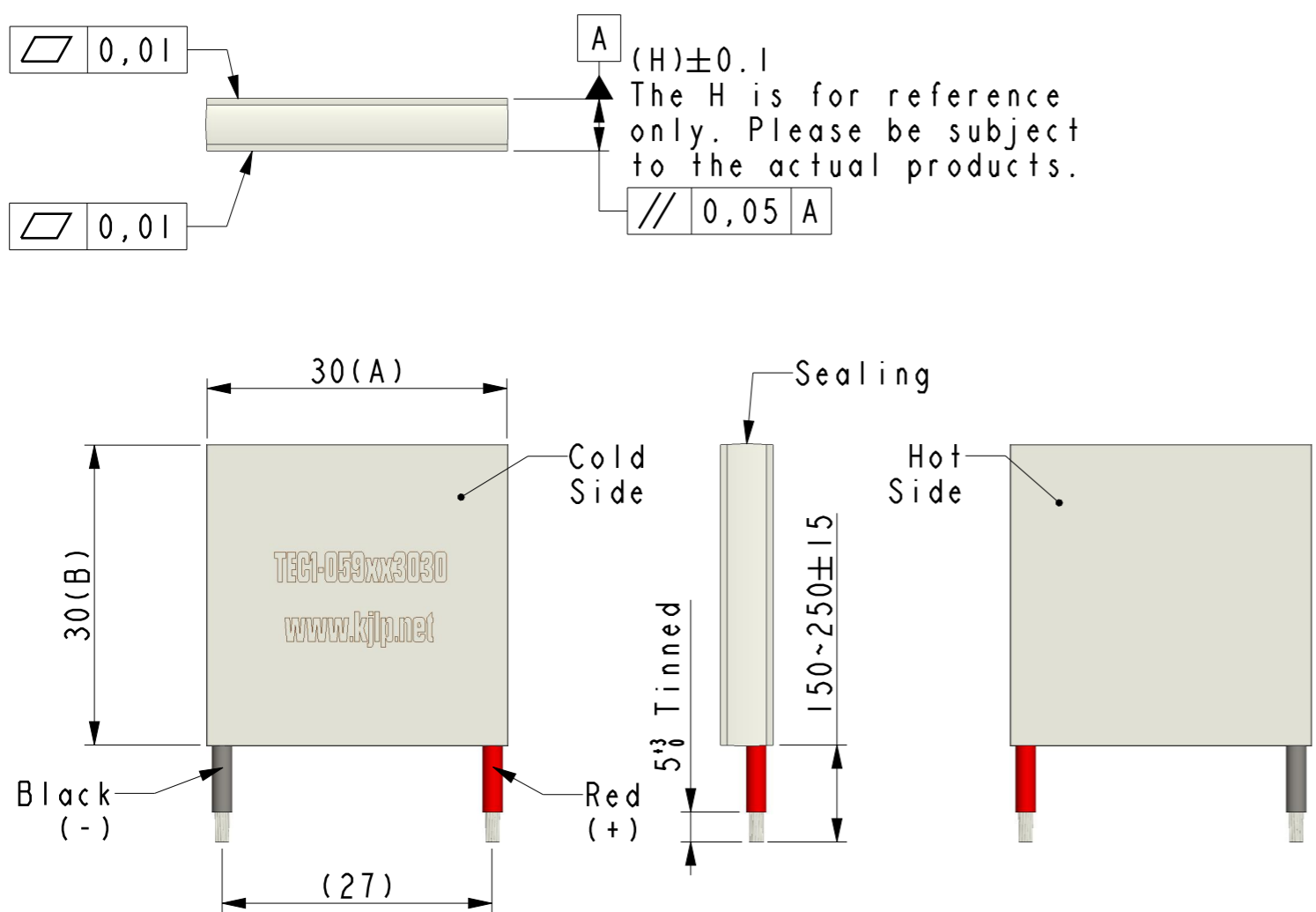
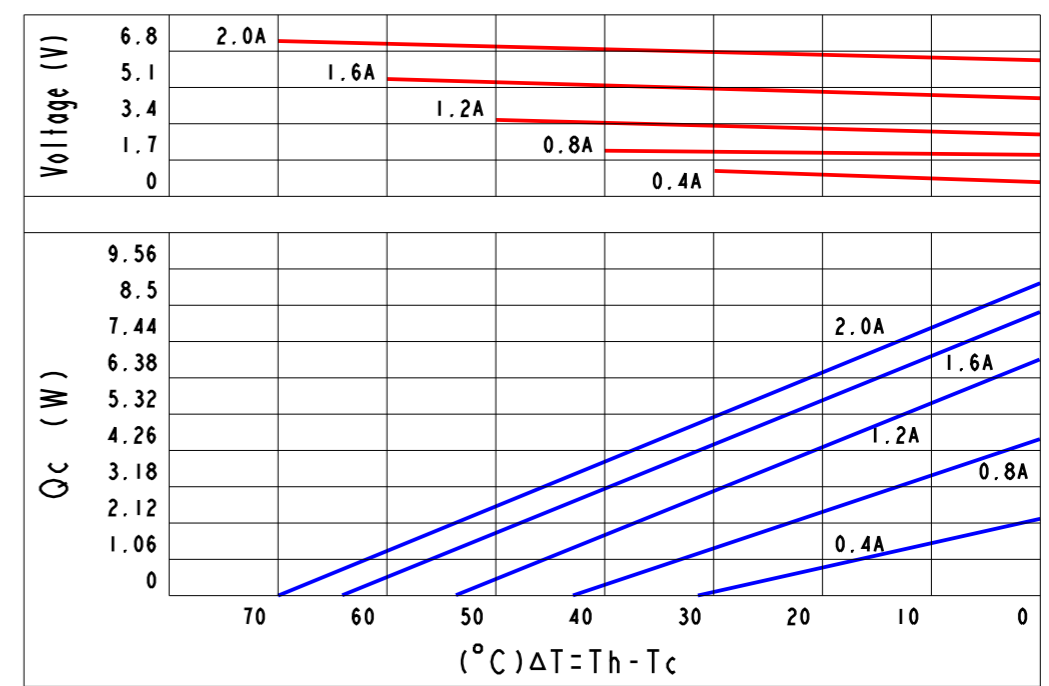


REVISIONS					
REV.	POS.	DESCRIPTION	DATE	DRW	APP
A		INITIAL CREATION	2013/09/09	Gory	Mason



Curve Chart(Be Confined To TECI-059203030):

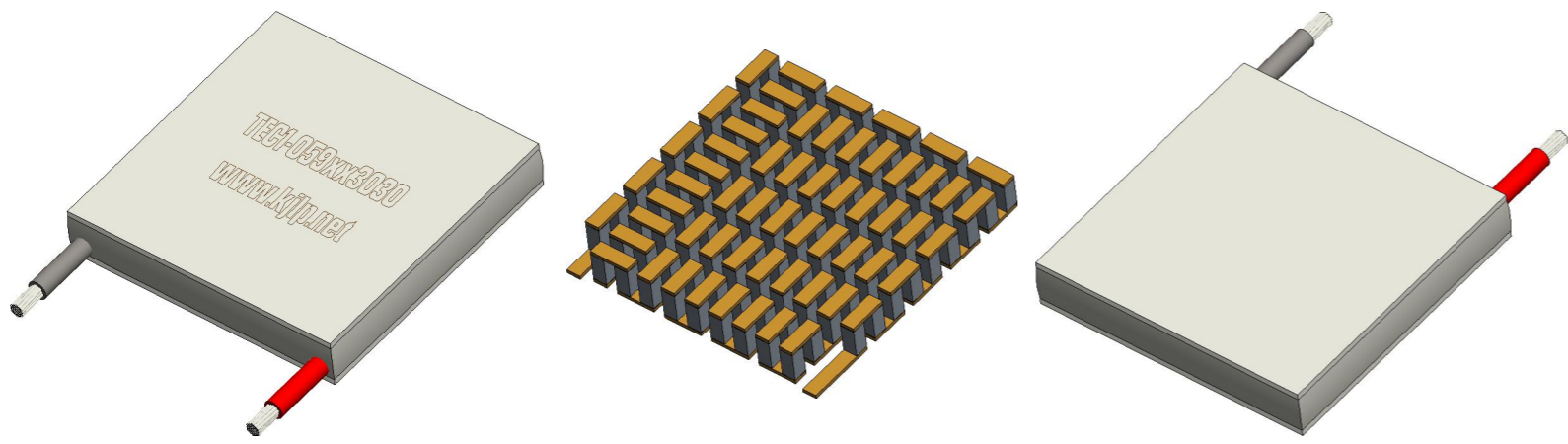


Part Number And Feature:

T	E	C	I	-	0	5	9	x	x	3	0	3	0	Sealing	YES
↓	↓				↓	↓	↓	↓	↓	↓	↓	↓	↓	Operation Temperature	125°C(Max.)
Thermo	Electric	Chip	Stage	Stack	N & P	Stack	Quantity	Current	A(Max.)	Dimension	(A)	Dimension	(B)	Melting Point	138°C
														Storage Temperature	-60°C~100°C
														RoHS	YES

Technical Data:

ITEM	Part NO.	Stack(P&N)	A(Max.)	V(Max.)	Qc(W) /Th=27°C/ ΔT(°C)	DIM(A)	DIM(B)	DIM(H)
1	TECI-059023030	59	2 A	6.8 V	9.5W	70°C	30	30



- Notes:
1. Printing always on cold side.
 2. Torlerance of thermo and electric parameters $\pm 10\%$.
 3. Please mount heat sink before you use it. also, please do not exceed the extra voltage at any time.
 4. Please contact with us if you need Melting Point 183°C (Operation Temperature 150°C Max.) and 235°C (Operation Temperature 200°C Max.) type.

*DO NOT SCALE DRAWING

THIRD ANGLE PROJECTION

THIS DRAWING AND THE DATA DISCLOSED HEREIN OR HEREWITH IS NOT TO BE REPR ODUCE
USED OR DISCLOSED OR IN PART TO ANYONE WITHOUT THE PERMISSION OF KJLP (SHENZHEN) ELECTRONICS
CO., LTD.

1. UNLESS OTHERWISE SPECIFIED, DIMENSIONS ARE MM
2. TOLERANCE ARE AS FOLLOWS:
0 < X < 2 ± 0.06
2 < X < 10 ± 0.08
10 < X < 50 ± 0.12
50 < X < 100 ± 0.16
100 < X < 200 ± 0.20
200 < X < 300 ± 0.30
ANGLES ± 0.5°

PART No.	TECI-059xx3030	DESCRIPTION	DC 6.8V(Max.), 2A(Max.), 59 P&N, 30*30mm
SIGNATURE		DATE	
DRAWN BY	Gory	2013/09/09	
CHECKED BY	Justin	2013/09/09	
ENGR	Vivi	2013/09/09	
APPROVED BY	Mason	2013/09/09	
ISSUED BY	Jack	2013/09/09	

CAD MODLE: TECI-059xx3030.prt
SCALE: 1:1
REV: A

CAD DWG: TECI-059xx3030.drw
SIZE: A3
SHEET: 1 OF 1

昆晶冷片 (深圳) 电子有限公司
KJLP (SHENZHEN) ELECTRONICS CO., LTD
email: kjlp@kjlp.net http:// www.kjlp.net
Tel: +86-755-82528352 Fax: +86-755-22639899